



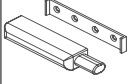
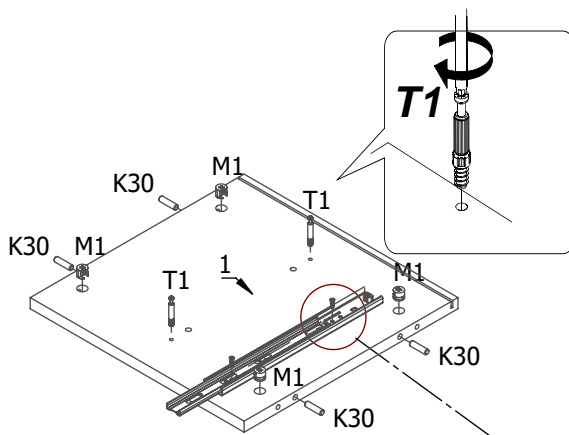
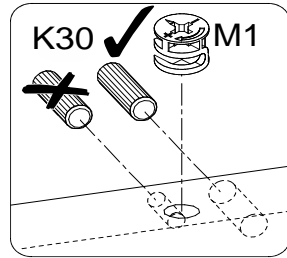
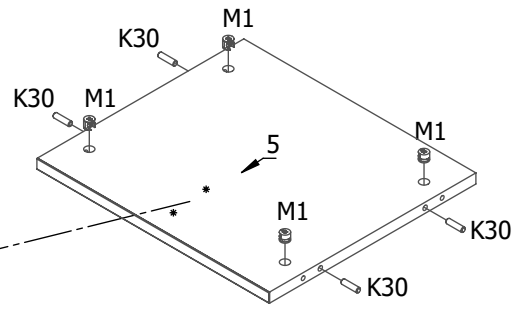
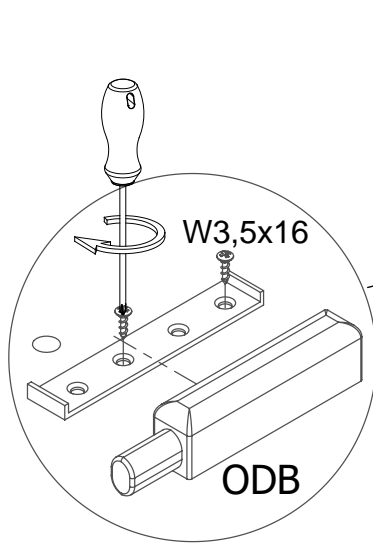
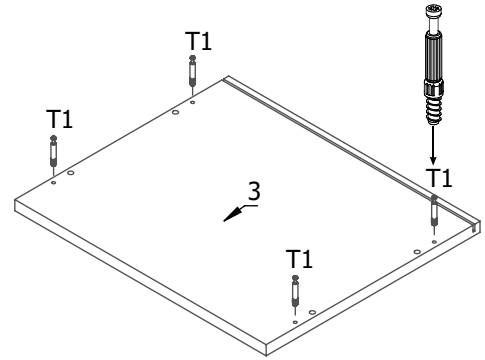

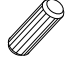
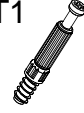

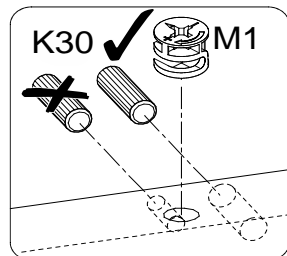
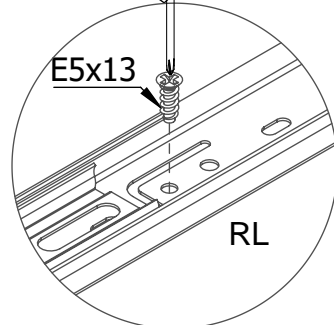
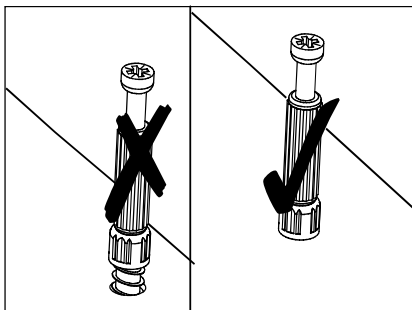
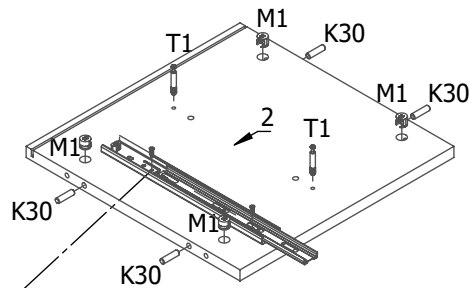
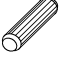


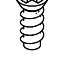





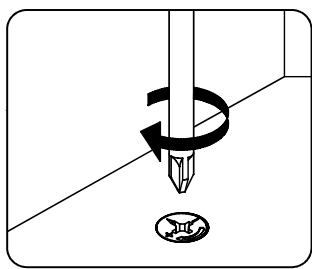
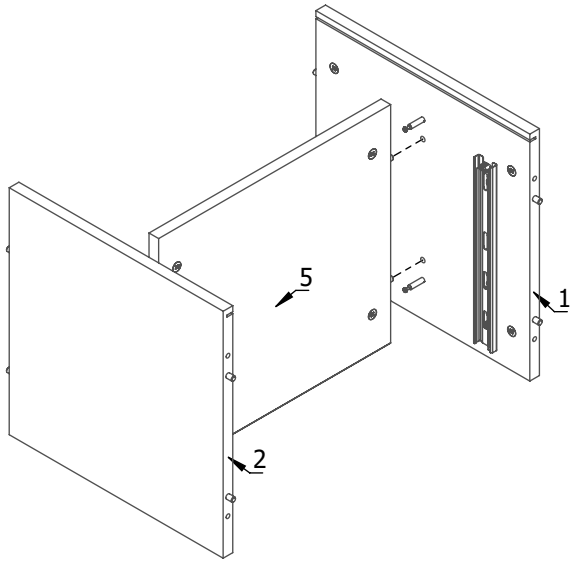
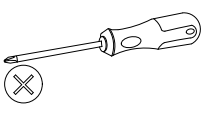
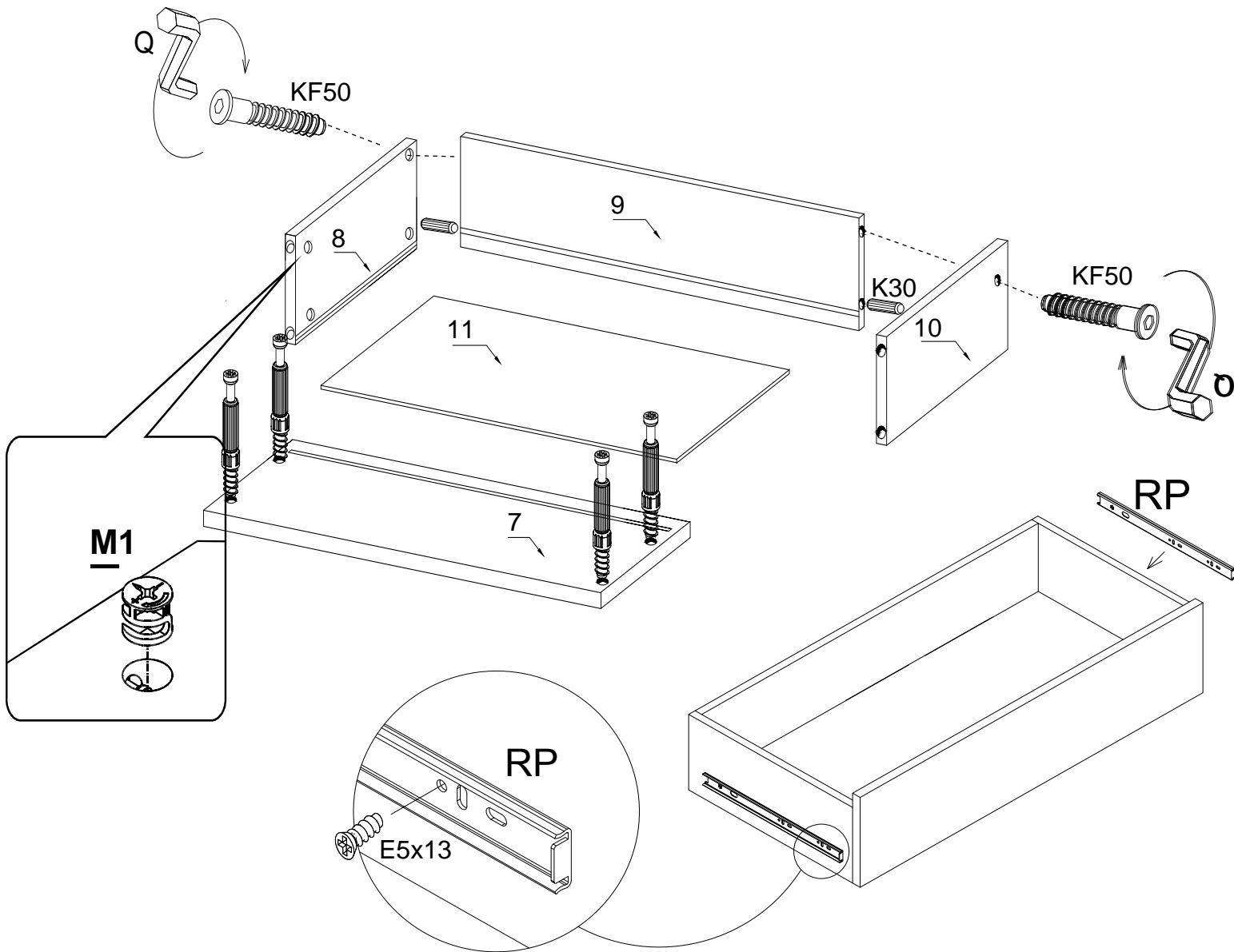
M1  4	K30  4	T1  8	W3,5x16  2	ODB  1
---	--	---	--	--

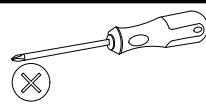


M1  8	K30  8	T1  4	E5x13  4
--	---	--	---



K30  2	M1  4	T1  4	E5x13  4	 RP 2	Q  1	KF50  2
--	---	---	--	---	--	---





STB	H120	F2
4	4	12

